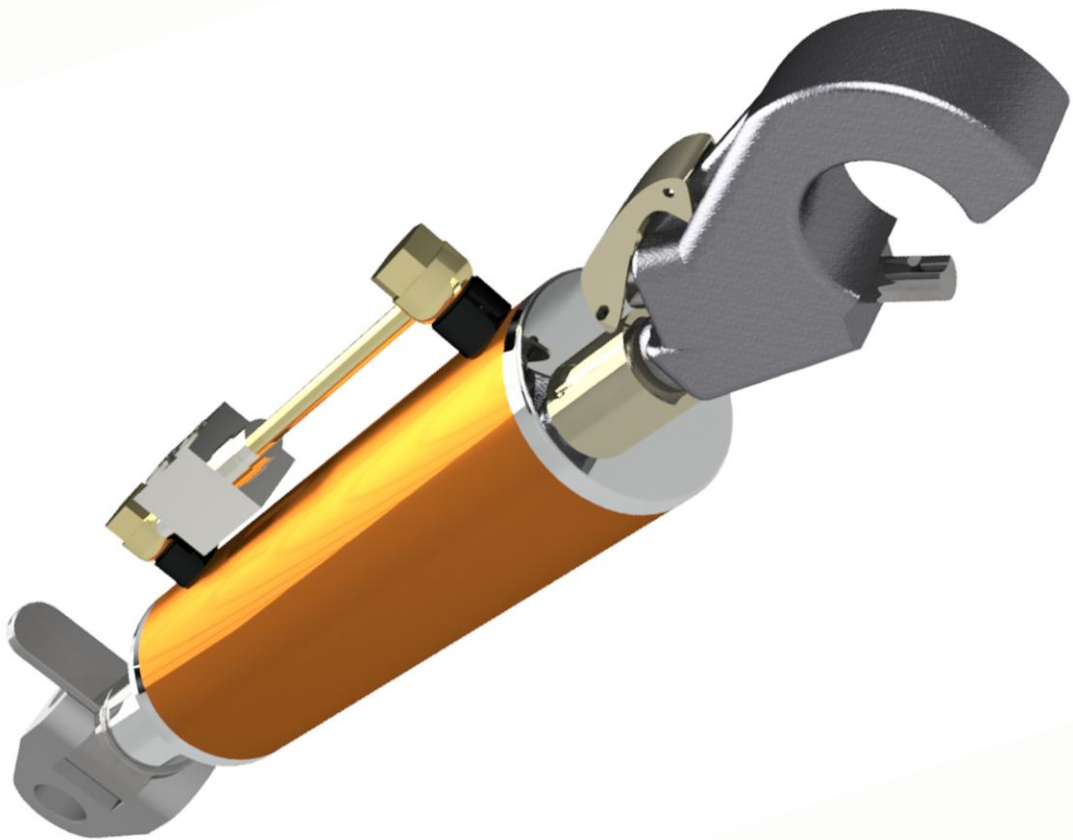


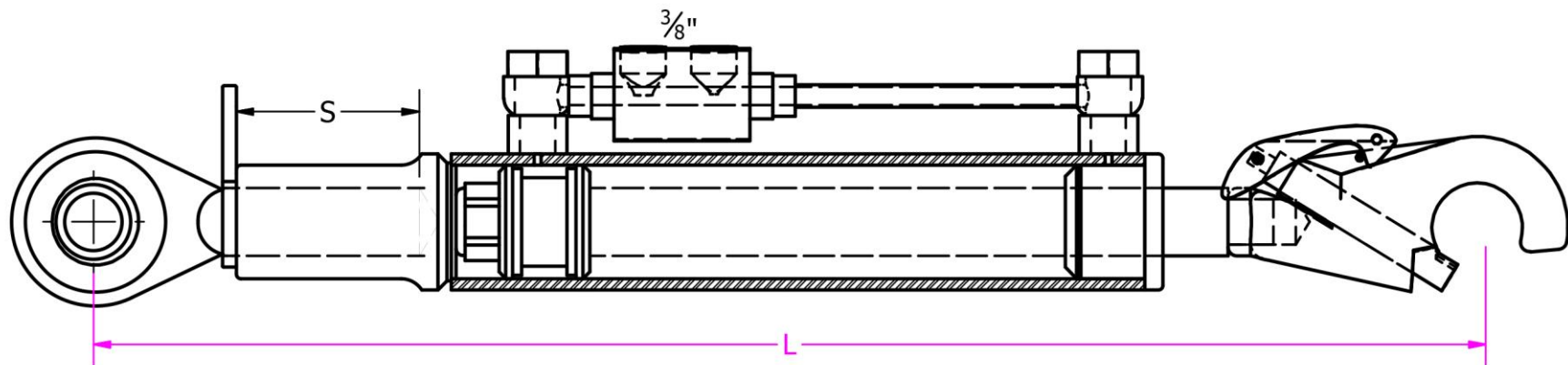
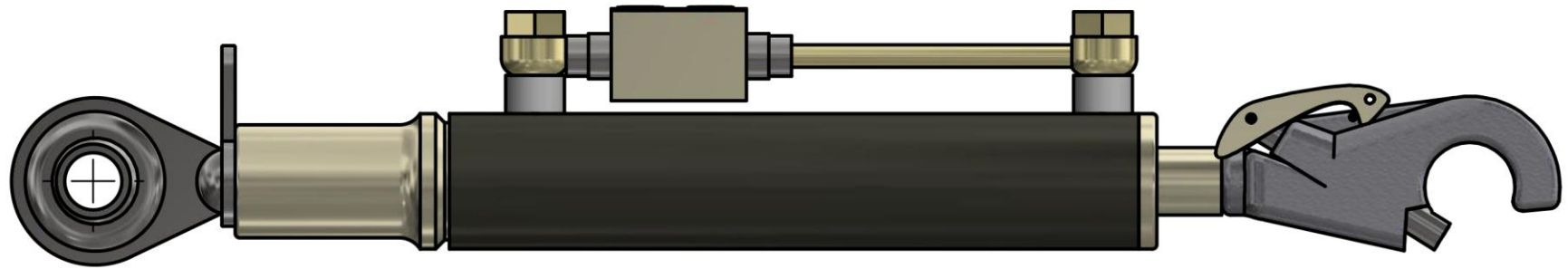
PANTIKOGLOU **KABOSIS**

AGRI PARTS // HYDRAULICS



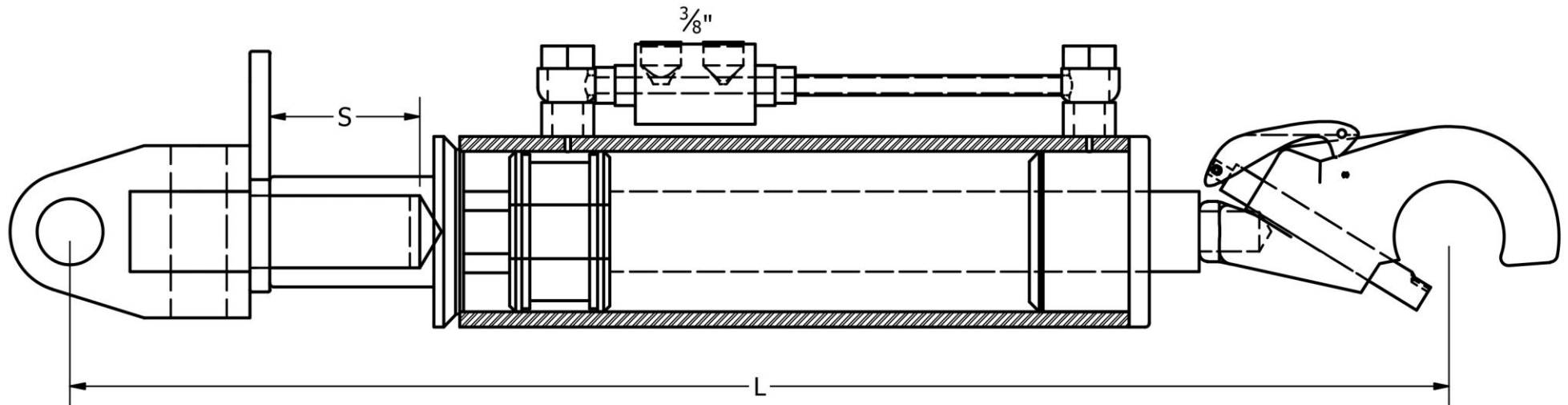
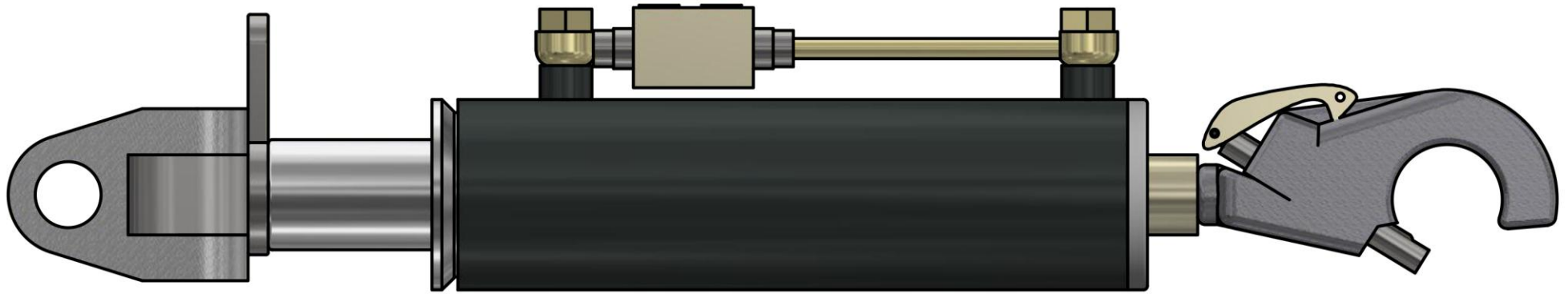
HYDRAULIC CYLINDERS

- Our tractor cylinders are not original parts. . They are imported or produced by A. PANTIKOGLOU – V.KABOSIS S.A.



Specification & Technical Standard

| Part No. | Ball-joint end Hole | L Min | L Max | S | Thread | Tube Dia | Bore Dia | Piston Rod | Stroke | Rapid hook |
|----------|---------------------|--------|--------|----|--------|----------|----------|------------|--------|------------|
| H3PR01 | 25.4 mm | 610 mm | 820 mm | | 30x3 | 60 mm | 50 mm | 30 mm | 210 mm | GRS-975 |
| H3PR02 | 25.4 mm | 640 mm | 850 mm | | 30x3 | 73 mm | 63 mm | 35 mm | 210 mm | GRS-975 |
| H3PR03 | 25.4 mm | 665 mm | 875 mm | 50 | 36x3 | 95 mm | 80 mm | 40 mm | 210 mm | GRS-976 |
| H3PR04 | 32.0 mm | 680 mm | 890 mm | | 36x3 | 95 mm | 80 mm | 40 mm | 210 mm | GRS-976 |
| H3PR05 | 32.0 mm | 680 mm | 890 mm | | 36x3 | 105 mm | 90 mm | 50 mm | 210 mm | GRS-976 |



Specification & Technical Standard

| Part No. | Top Link Joint Diam. | L Min | L Max | S | Thread | Tube Dia | Bore Dia | Piston Rod | Stroke | Rapid hook |
|----------|----------------------|--------|--------|----|--------|----------|----------|------------|--------|------------|
| H3PR01T | 25.4 mm | 640 mm | 850 mm | | 30x3 | 60 mm | 50 mm | 30 mm | 210 mm | GRS-975 |
| H3PR02T | 25.4 mm | 670 mm | 880 mm | | 30x3 | 73 mm | 63 mm | 35 mm | 210 mm | GRS-975 |
| H3PR03T | 25.4 mm | 690 mm | 900 mm | 50 | 36x3 | 95 mm | 80 mm | 40 mm | 210 mm | GRS-976 |
| H3PR04T | 28-32mm | 690 mm | 900 mm | | 36x3 | 95 mm | 80 mm | 40 mm | 210 mm | GRS-976 |
| H3PR05T | 32.0 mm | 690 mm | 900 mm | | 36x3 | 105 mm | 90 mm | 50 mm | 210 mm | GRS-976 |