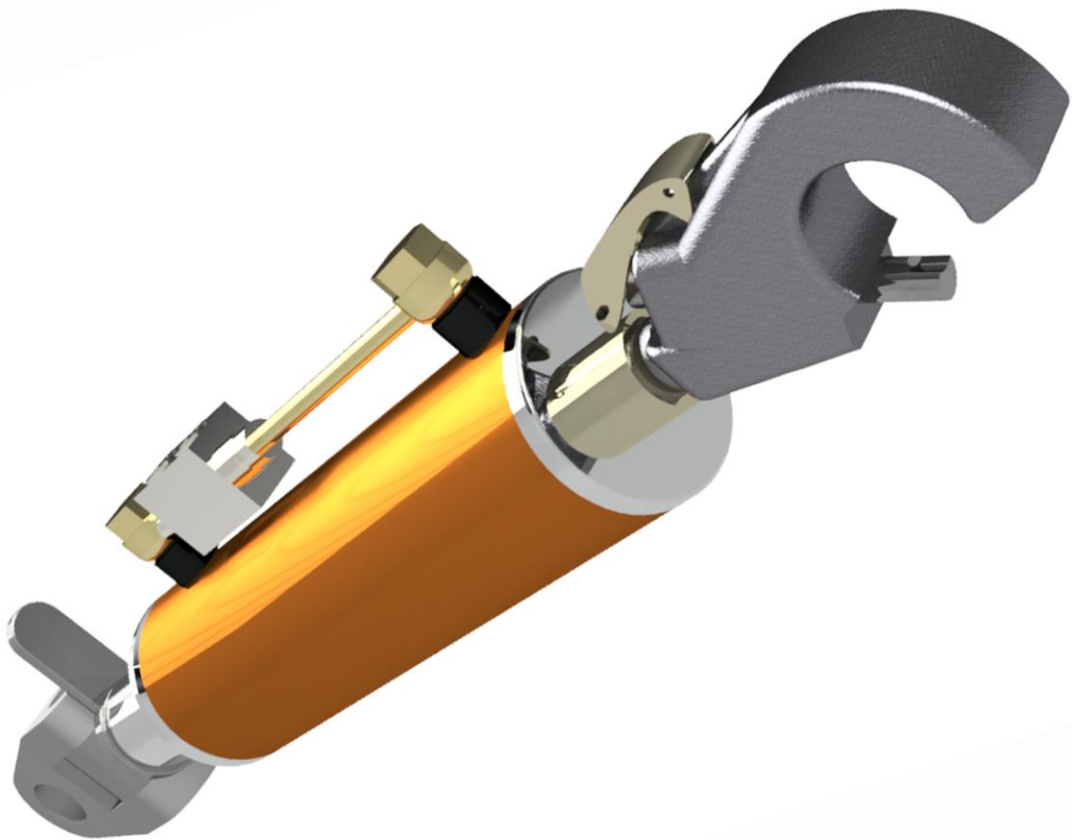


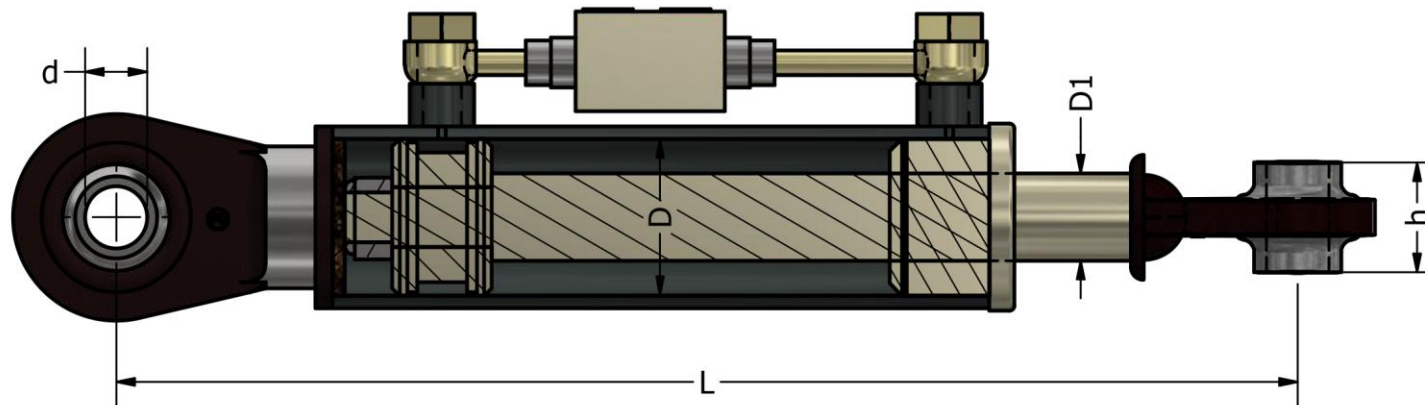
PANTIKOGLOU **KABOSIS**

AGRI PARTS // HYDRAULICS



HYDRAULIC CYLINDERS

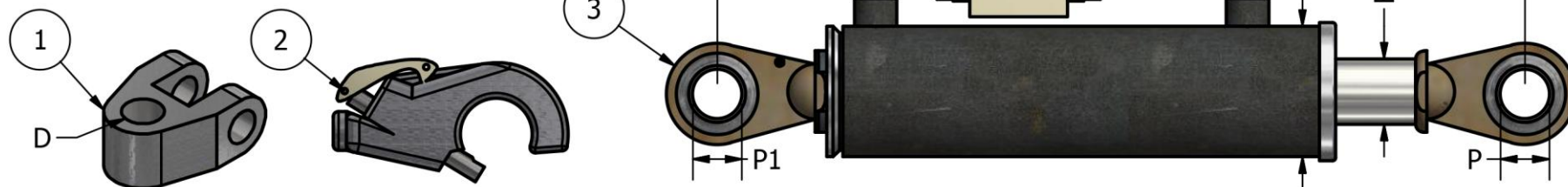
- Our tractor cylinders are not original parts. . They are imported or produced by A. PANTIKOGLOU – V.KABOSIS S.A.



Specification (technical standard)

Part No.	h	D	D1	Stroke	L min	L max	d (front)	d (back)
H3P250	44	50	30	160	410	570	-19.2	-19.2
H3P252	44	50	30	210	460	670	-19.2	-19.2
H3P254	44	50	30	280	530	810	-19.2	-19.2
H3P256	44	50	30	400	650	150	-25.4	-19.2
H3P258	51	50	30	160	430	590	-25.4	-25.4
H3P260	51	50	30	210	480	690	-25.4	-25.4
H3P262	51	50	30	280	550	830	-25.4	-25.4
H3P264	51	50	30	400	670	1070	-25.4	-25.4
H3P312	51	50	30	140	450	590	-25.4	-25.4
H3P276	51	63	35	160	450	610	25.4	25.4
H3P278	51	63	35	210	500	710	-25.4	25.4
H3P280	51	63	35	280	570	850	25.4	25.4
H3P281	51	63	35	360	650	1010	-25.4	25.4
H3P282	51	63	35	400	690	1090	-25.4	25.4
H3P266	51	80	40	160	480	640	-25.4	25.4
H3P268	51	80	40	210	530	740	25.4	25.4
H3P270	51	80	40	280	600	880	-25.4	25.4
H3P298	51	80	40	300	650	950	-25.4	25.4
H3P272	51	80	40	400	720	1120	-25.4	25.4

Part No	Application
H3P250	LANDINI R3000-R3200 FIAT 300
H3P252	FIAT SMALL
H3P254	FIAT 450-MF135 FORT3000-DEXTA SAME C503-C533 DEUTZ 40006-4506
H3P256	FIAT 640-67-550-650-750
H3P258	LANDINI C4000-C3500 CS4000 SAME Minotauro Falcon
H3P260	LANDINI 4500-5500 MF134-154-174
H3P262	FIAT 570-570DT-580DT-670-850-1000 MAJOR JD940-1040-1140-1640-2040-214 0 LANDINI 5000DT-5500-6500-6000-7000 MF35-135-165-168-240-254-255
H3P264	FIAT 1180-1280-1300-1380-115.90
H3P312	LAMBORGHINI (Logging)
H3P276	SAME (Logging)
H3P278	
H3P280	FORD 5000 MF 175-185-240 FIAT 70.66-80.66 570-570DT-580DT-670-850-1000
H3P281	
H3P282	FORD 82.40-83.40
H3P266	SAME CORSARO CENTAURO SATURNO CENTURION LEONE ARIETE LEOPAED PANTERA
H3P268	100hp and up
H3P270	FIAT 570-580-680-780-880-980 SERIE L J.D.1140-2540-200 LANDINI 5000-6000-10000-12500-14500 MF165-168-254-274
H3P298	NEW HOLLAND 1000
H3P272	

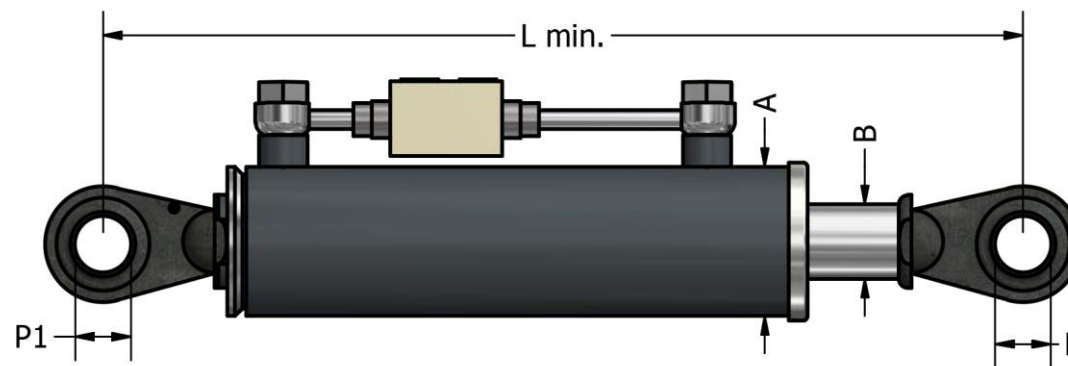
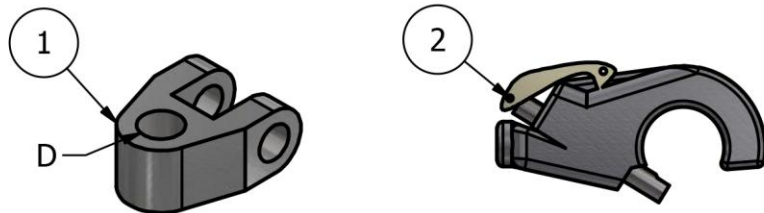


CASE-IH

Part Nº	L (mm) min.	A	B	P	P1 (D)	Application
CAS 50936	610	80	40	2.(Rapid Hook)	1.Top Link Joint Diam. Ø25	MX 135
CAS 50747	700	95	45	2.(Rapid Hook)	1.Top Link Joint Diam. Ø32	MX 150
CAS 50904	760	105	45	2.(Rapid Hook)	1.Top Link Joint Diam. Ø32	MX 270 MAGNUM
CAS 50011	640	80	40	2.(Rapid Hook)	1.Top Link Joint Diam. Ø28	MXM 100-160
CAS 50013	660	95	45	2.(Rapid Hook)	1.Top Link Joint Diam. Ø32	MXM 191
CAS 50014	760	105	45	2.(Rapid Hook)	1.Top Link Joint Diam. Ø32	MX 241
CAS 50016	620	80	40	2.(Rapid Hook)	1.Top Link Joint Diam. Ø28	MXU 100-111
CAS 50017	660	80	40	2.(Rapid Hook)	1.Top Link Joint Diam. Ø28	MXU 115-136

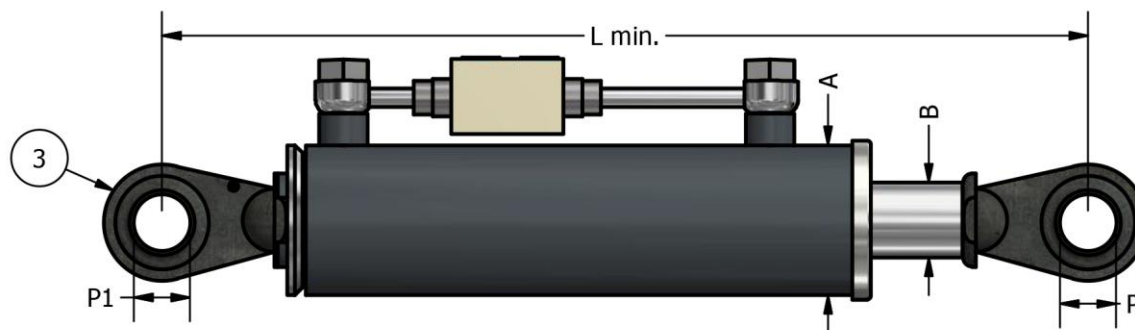
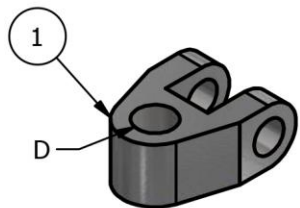
DEUTZ

Part Nº	L (mm) min.	A	B	P	P1 (D)	Application
DTZ 50760	500	73	35	3.Ball Joint End Diam. Ø25	3.Ball Joint End Diam. Ø25	Agroplus 60-70
DTZ 50937	610	80	40	2.(Rapid Hook)	1.Top Link Joint Diam. Ø32	Agroton 90-100
DTZ 50938	700	95	45	2.(Rapid Hook)	1.Top Link Joint Diam. Ø32	Agroton 130-150
DTZ 50605	680	105	45	2.(Rapid Hook)	1.Top Link Joint Diam. Ø32	Agroton 200



FIAT-NEW HOLLAND

Part Nº	L (mm) min.	A	B	P	P1 (D)	Application
F 50588	560	73	35	3.Ball Joint End Diam. Ø25,4	1.Top Link Joint Diam. Ø32	80,90-100,90-110,90 -82,94
F 50599	650	95	45	2.(Rapid Hook)	1.Top Link Joint Diam. Ø32	130/90-140/90-160/ 90-180/90
F 50616	600	73	35	3.Ball Joint End Diam. Ø25,4	3.Ball Joint End Diam. Ø25,4	70,66-80,66
F 50752	640	105	45	2.(Rapid Hook)	1.Top Link Joint Diam. Ø32	G170-G190-G210-G2 40
F 50656	620	73	35	3.Ball Joint End Diam. Ø25,4	3.Ball Joint End Diam. Ø25,4	SERIES L-TL-L60-L65-L75-L8 5-L95-570-580-680- 780-780-880-980
F 50753	640	80	40	2.(Rapid Hook)	1.Top Link Joint Diam. Ø28	M100-M115-M135-M 160
F 50755	580	73	35	2.(Rapid Hook)	3.Ball Joint End Diam. Ø25,4	TNG 68-75-90TNV 65-75-90TND 65-75-90
F 50754	600	80	40	2.(Rapid Hook)	1.Top Link Joint Diam. Ø28	TS 80-TS 90-TS 100
F 50794	610	80	40	2.(Rapid Hook)	1.Top Link Joint Diam. Ø28	Winner F100-F110-F115-F12 0-F140
F 50113	680	95	45	2.(Rapid Hook)	1.Top Link Joint Diam. Ø32	TM170-190
F 50115	640	105	45	2.(Rapid Hook)	1.Top Link Joint Diam. Ø32	6170-190-210-240



FENDT

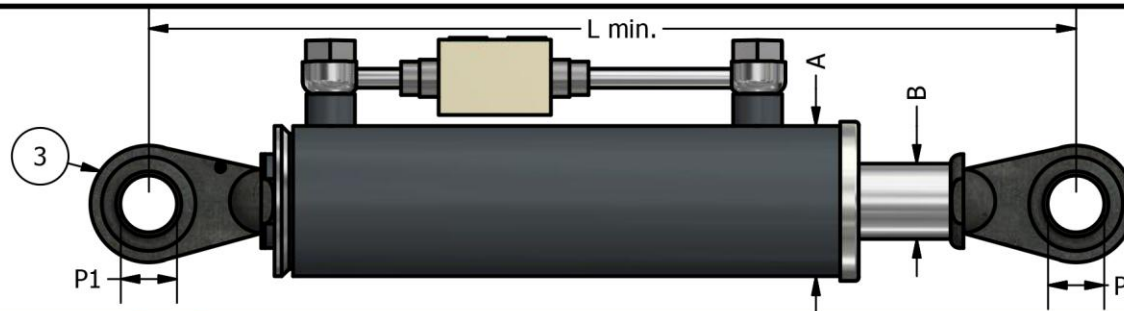
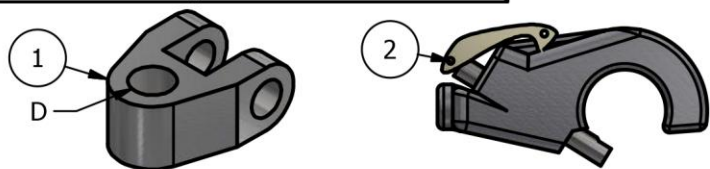
Part Nº	L (mm) min.	A	B	P	P1 (D)	Application
FDT 50913	700	80	40	3.Ball Joint End Diam. Ø25	1.Top Link Joint Diam. Ø31	308 130HP
FDT 50061	700	105	45	2.(Rapid Hook)	1.Top Link Joint Diam. Ø32	FAVORIT 920-926 824 240HP
FDT 50067	700	95	45	2.(Rapid Hook)	1.Top Link Joint Diam. Ø32	716

HURLIMANN

Part Nº	L (mm) min.	A	B	P	P1 (D)	Application
HU 50649	480	73	35	3.Ball Joint End Diam. Ø25,4	3.Ball Joint End Diam. Ø25,4	H481 XF
HU50617	600	73	35	3.Ball Joint End Diam. Ø25,4	3.Ball Joint End Diam. Ø25,4	909
HU50618	600	80	40	3.Ball Joint End Diam. Ø25,4	3.Ball Joint End Diam. Ø25,4	6190

JOHN DEERE

Part Nº	L (mm) min.	A	B	P	P1 (D)	Application
JD 50649	550	80	40	2.(Rapid Hook)	1.Top Link Joint Diam. Ø32	6400-6500-6600-6410-65 10-6610-6620-6320
JD 50927	600	80	40	2.(Rapid Hook)	1.Top Link Joint Diam. Ø25,4	6410SE-6510SE-6610SE
JD 50608	600	80	40	2.(Rapid Hook)	1.Top Link Joint Diam. Ø32	6800-6900-6810-6910-69 20
JD 50585	660	95	45	2.(Rapid Hook)	1.Top Link Joint Diam. Ø32	7600-7700-7800-7710-78 10-7820
JD 50605	740	105	45	2.(Rapid Hook)	1.Top Link Joint Diam. Ø35	8100-8200-8300-8400-85 00
JD 50606	550	73	35	2.(Rapid Hook)	1.Top Link Joint Diam. Ø25,4	6100-6200-6300-6110-62 10-63109-5820

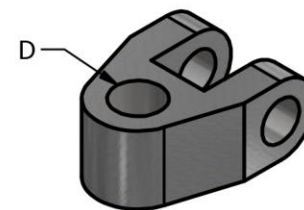
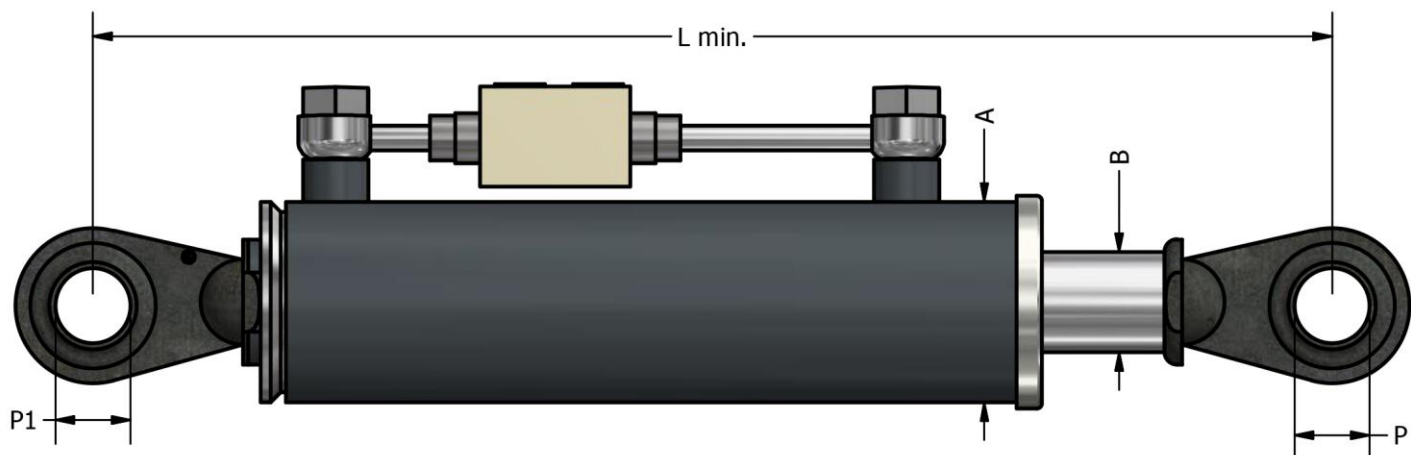


LAMBORGHINI

Part N°	L (mm) min.	A	B	P	P1 (D)	Application
LM 50609	600	80	40	2.(Rapid Hook)	1.Top Link Joint Diam. Ø32	1556
LM 50801	600	105	45	2.(Rapid Hook)	1.Top Link Joint Diam. Ø32	Racing 190
LM 50933	640	105	45	2.(Rapid Hook)	1.Top Link Joint Diam. Ø32	Champion
LM 50216	610	95	45	2.(Rapid Hook)	1.Top Link Joint Diam. Ø32	Premium 1060-1050-1100-1300
LM 50222	610	80	40	2.(Rapid Hook)	1.Top Link Joint Diam. Ø25	R256DT-760DT-86DTGra nd Prix LS 874-90
LM 50225	640	80	40	2.(Rapid Hook)	1.Top Link Joint Diam. Ø32	Formula 135
LM 50226	640	95	45	2.(Rapid Hook)	1.Top Link Joint Diam. Ø32	R5 115-130DT T6 130-140
LM 50227	680	105	45	2.(Rapid Hook)	1.Top Link Joint Diam. Ø32	R7 175-190-200DT

LANDINI

Part N°	L (mm) min.	A	B	P	P1 (D)	Application
LAN 50766	550	95	45	2.(Rapid Hook)	1.Top Link Joint Diam. Ø32	Legend 105-115-130-145
LAN 5091	460	73	35	2.(Rapid Hook)	3.Ball Joint End Diam. Ø25,4	Frutteto Rex 100
LAN 50649	480	73	35	2.(Rapid Hook)	3.Ball Joint End Diam. Ø25,4	C 3500-C4000-CS 4500 Cingoli
LAN 50922	550	73	35	2.(Rapid Hook)	3.Ball Joint End Diam. Ø19	Globus
LAN 50923	690	73	35	2.(Rapid Hook)	3.Ball Joint End Diam. Ø25,4	Mithos 90
LAN 50931	470	50	30	1.(Rapid Hook)	3.Ball Joint End Diam. Ø19	Mistral 90
LAN 50932	650	73	35	2.(Rapid Hook)	3.Ball Joint End Diam. Ø25,4	Ghibli 90
LAN 50263	550	95	45	3.Ball Joint End Diam. Ø32	1.Top Link Joint Diam. Ø32	Legend 105-115-130-145



1.Top Link Joint



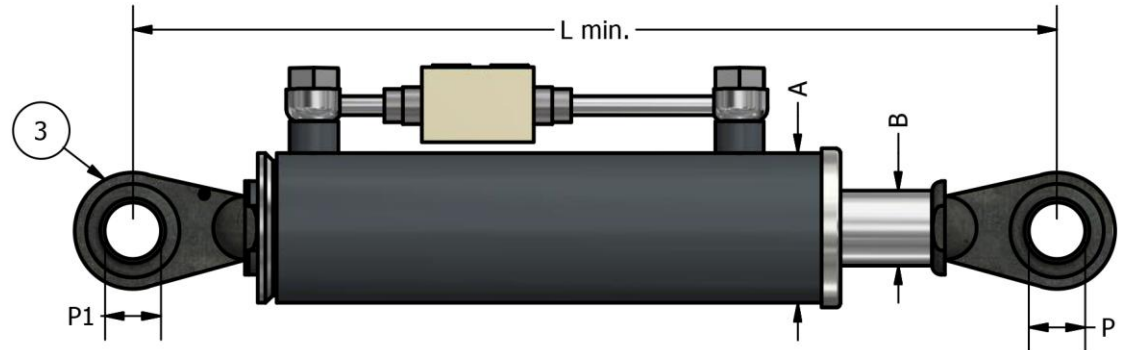
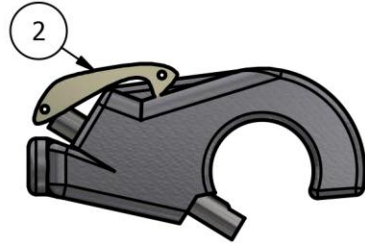
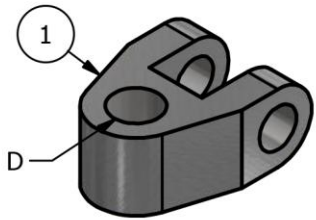
2.Rapid Hook



3.Ball Joint End

MASSEY FERGUSON

Part Nº	L (mm) min.	A	B	P	P1 (D)	Application
MF 50652	550	73	35	3.Ball Joint End Diam. Ø25,4	3.Ball Joint End Diam. Ø25,4	MF135-165-169-240
MF 50276	560	95	45	3.Ball Joint End Diam. Ø32	1.Top Link Joint Diam. Ø32	MF 7485-7480
MF 50279	700	80	40	2.(Rapid Hook)	3.Ball Joint End Diam. Ø25,4	MF 4370
MF 50280	650	95	45	2.(Rapid Hook)	1.Top Link Joint Diam. Ø34	MF 6490
MF 50282	620	95	45	2.(Rapid Hook)	1.Top Link Joint Diam. Ø32	MF 6485
MF 50284	590	80	40	2.(Rapid Hook)	1.Top Link Joint Diam. Ø25	MF 5465



SAME

Part Nº	L (mm) min.	A	B	P	P1 (D)	Application
SAM 50654	480	80	45	2.(Rapid Hook)	3.Ball Joint End Diam. Ø25,4	Corcaro-Centauro-Saturno-Centurion-Leone-Ariete-Leopard-Pantera
SAM 50924	600	73	35	3.Ball Joint End Diam. Ø25,4	3.Ball Joint End Diam. Ø25,4	Explorer 70-80-90
SAM 50660	520	73	35	3.Ball Joint End Diam. Ø25,4	3.Ball Joint End Diam. Ø25,4	Laser 100
SAM 50656	620	73	35	3.Ball Joint End Diam. Ø25,4	3.Ball Joint End Diam. Ø25,4	Silver 90
SAM 50303	600	80	40	2.(Rapid Hook)	1.Top Link Joint Diam. Ø32	Antares 130-150
SAM 50818	600	80	40	2.(Rapid Hook)	1.Top Link Joint Diam. Ø32	Silver 130,6
SAM 50762	600	95	45	2.(Rapid Hook)	1.Top Link Joint Diam. Ø32	Titan 145-160
SAM 50801	600	105	45	2.(Rapid Hook)	1.Top Link Joint Diam. Ø32	Titan 190
SAM 50925	640	105	45	2.(Rapid Hook)	1.Top Link Joint Diam. Ø32	Rubin
SAM 50926	690	105	45	2.(Rapid Hook)	1.Top Link Joint Diam. Ø32	Diamant
SAM 50319	640	95	45	2.(Rapid Hook)	1.Top Link Joint Diam. Ø32	Elios 130DT
SAM 50321	680	105	45	2.(Rapid Hook)	1.Top Link Joint Diam. Ø32	Iron165-190DT